

FEATURES

- 3.3V Operation
- High Performance
- Complementary Output

Applications Include

- SONET / SDH ATM
- WAN / Gb Ethernet

Discontinued



PRELIMINARY

Quote it!

Learn more about:
[Part Marking Identification](#)
[Tape and Reel Specification](#)
Internet required

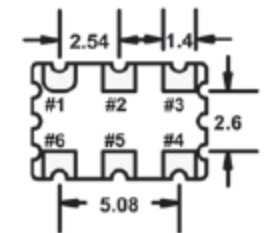
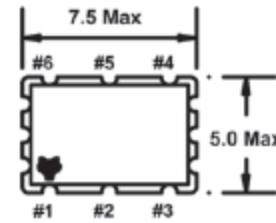
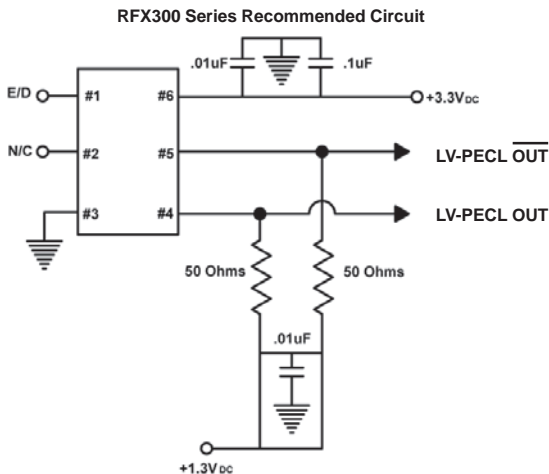
• PART NUMBER SELECTION [Learn More - Internet Required](#)

Part Number	Model Number	Frequency Stability	Operating Temperature	Frequency Range (MHz)
913-Frequency-xxxxx	RFX300	See table	See table	600.000 ~ 1250

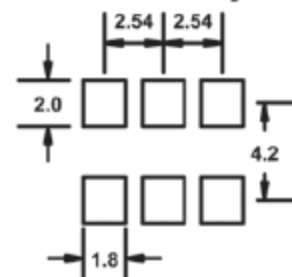
• ELECTRICAL CHARACTERISTICS

PARAMETERS	MAX (unless otherwise noted)
Frequency Range (Fo)	600.000 ~ 1250MHz
Stability (-20 ~ +70°C)	±20PPM
(-40 ~ +85°C)	±25PPM
Storage Temperature Range	-55°C ~ +125°C
Input Voltage (VDD)	3.3V ± 10%
Input Current (IDD)	40mA
Rise Time (20% ~ 80% Vp-p)	0.5nS
Fall Time (80% ~ 20% Vp-p)	0.5nS
Symmetry (50% Vp-p)	45/55 %
Output Voltage (VOL)	1.65 V
(VOH)	2.155 Min
PECL Skew (50% Vp-p)	125pS
Jitter	
RMS 12kHz to 20MHz	0.3pS Typ.
RMS 50kHz to 80MHz	0.8pS Typ.
RMS Period	2.8pS Typ.
Cycle-to-Cycle	23pS Typ.
Output Disable Time	100nS Max
Output Enable Time	100nS Max

¹ Inclusive of 25°C tolerance, operating temperature range, input voltage change, load change, aging, shock, and vibration.
² An internal pullup resistor from pin 1 to pin 6 allows active output if pin 1 is left open
All specifications subject to change without notice. Rev. 6/1/04



Recommended Solder Pad Layout



- Pin Connections**
- # 1 E/D
 - # 2 N/C
 - # 3 GND
 - # 4 Output 1
 - # 5 Output 2
 - # 6 VDD

All dimensions are in millimeters.

• ENABLE / DISABLE FUNCTION

(Pin 1)	OUTPUT (Pin 4, pin 5)
OPEN ²	ACTIVE
'1' Level V _{IH} ≥ 2.0V	ACTIVE
'0' Level V _{IL} ≤ 1.0V	High Z